

Infinity®

reference 2000

*Floor-Standing Speaker System
Models 2000.6, 2000.5, 2000.4*

Owner's Manual

THE REFERENCE 2000 SERIES

The Infinity Reference 2000 Series is our newest family of bookshelf and floor-standing speaker systems, featuring advanced acoustic technology, highest-quality components, and exceptional cabinet designs. The Reference 2000.1, 2000.2, and 2000.3 models are 2-way, vented bookshelf systems,

while the Reference 2000.4, 2000.5, and 2000.6 are 2-way, vented high-output tower models.

All products use efficient drivers for maximum stereo output with minimal amplifier power. They are magnetically shielded, making them suitable for home theater applications as well.

UNPACKING

If you suspect damage from transit, report it immediately to your dealer and/or delivery service. Keep the shipping carton and packing materials for future use.

These speakers are covered by a limited warranty (see *Limited Warranty* on page 4), so save the sales receipt to protect your purchase and aid in any service-related questions. Also, save these instructions for future reference.

INSTALLING FEET

Refer to Figure 1 as you perform the following steps:

1. Open each accessory pack and locate the following items: four feet (with spike/round ends), four locking nuts, four nylon domes, and one wrench.
2. Lay each speaker on its side and locate the four threaded holes on the bottom.
3. For carpets, screw the round end of a foot into each hole and hand-tighten a nut onto each one. Leave a minimum of $\frac{5}{8}$ " exposed spike to keep the carpet from blocking the port. (On thicker carpets, you can increase the length of exposed spike up to $1\frac{1}{8}$ "). For hard-surface floors, screw the spike end into each hole instead and leave $\frac{5}{8}$ " of round end exposed.
4. Carefully flip each speaker upright to sit on its feet.
5. If needed, adjust the feet so each speaker is level and then tighten each nut with the enclosed wrench. To protect hard surfaces (e.g., wood floors), slip a nylon dome onto each round end.

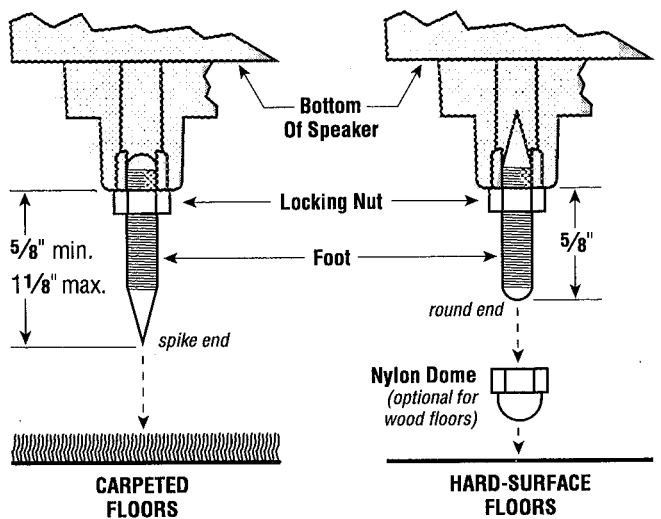


Figure 1. This cross-section shows how to install a foot onto the bottom of a Reference 2000.4/5/6 floor-standing speaker.

STEREO SPEAKER PLACEMENT

Before deciding where to put your Reference 2000 floor-standing speakers, survey your room and think about placement, keeping the following points in mind:

- For best results, try placing the speakers closer together than the distance to the listening area.
- Refer to Figure 2 when placing speakers for best bass level and stereo image (see *Final Adjustments* on next page).
- Refer to *Home Theater Placement* (next page) if you also plan to use the speakers for home theater reproduction.

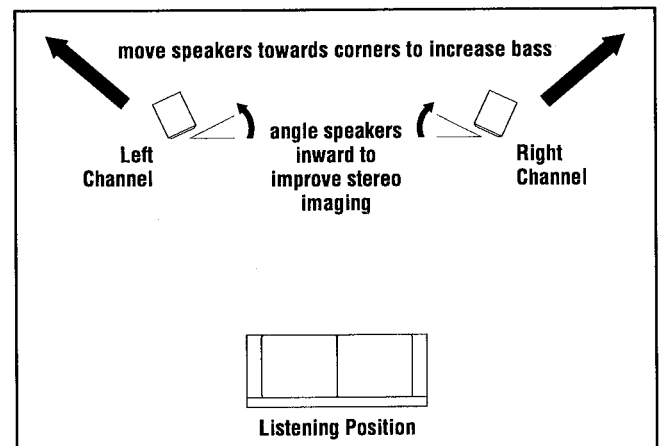


Figure 2. Experiment with speaker placement to obtain the best bass level and stereo imaging in your room.

HOME THEATER PLACEMENT

Reference 2000.4/.5/.6 floor-standing speakers are also suitable for use in reproducing home theater sound from front left and right channels.

Place one Reference 2000 floor-standing speaker on the left and another on the right, along either side of the television monitor. Since the speakers are magnetically shielded, you can set them in very close without worrying about the field distorting the TV picture.

NOTE: For maximum home theater enjoyment, your audio system should also include a center-channel speaker and a pair of rear-surround speakers. Moreover, you can add a subwoofer for deep bass impact on sound effects and music. Contact your local Infinity dealer for recommendations on adding these home theater speakers to your system.

WIRING THE SYSTEM

IMPORTANT: Make sure all equipment is turned off before making any connections.

For speaker connections, use #18 gauge speaker wire (or #16 for runs over 25 feet) with polarity coding. The side of the wire with a ridge or other coding is usually considered negative polarity (i.e., -).

Reference 2000 speakers have color-coded terminals that accept a variety of wire connectors. To ensure proper polarity, connect each + terminal on the back of the amplifier, receiver, or television to the respective + (red) terminal on each speaker, as shown in Figure 3. Similarly, connect the - (black) terminals in the same way. Also, see the owner's manuals that were included with your amplifier, receiver, or television to confirm connection procedures.

NOTE: Do not reverse polarities (i.e., + to - or - to +) when making connections. Doing so will cause poor imaging and diminished bass response.

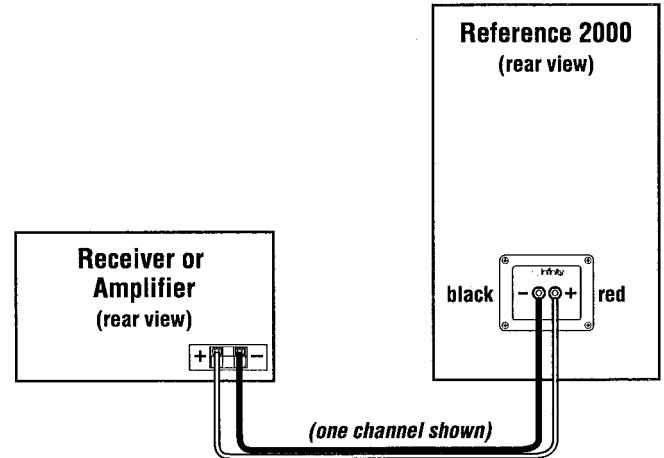


Figure 3. Wiring diagram shows polarity connections for one channel of a stereo or home theater system.

FINAL ADJUSTMENTS

Check the speakers for playback by first setting the system volume control for a minimum level, and then applying power to your audio system. Play a favorite music or video segment and increase the system volume control to a comfortable level.

NOTE: You should hear balanced audio reproduction across the entire frequency spectrum. If not, check all wiring connections or consult the Authorized Infinity Dealer where you purchased the system for more help.

The amount of bass you hear and the stereo image quality will be affected by a number of different factors, including the

room's size and shape, the construction materials used to build the room, the listener's position relative to the speakers, and the position of the speakers in the room.

Listen to a variety of music selections and note the bass level. If there is too much bass, move the speakers away from nearby walls (see Figure 2 on opposite page). Conversely, if you want more bass, place the speakers closer to the walls.

Nearby reflecting surfaces can adversely affect stereo imaging quality. If this happens, try angling the speakers slightly inward toward the listening position, until the desired effect is achieved (see Figure 2 on opposite page).

CARE OF YOUR SPEAKER SYSTEM

Each Reference 2000 cabinet is finished in a wood-vinyl finish and does not require any routine maintenance. When needed, use a soft cloth, dampened with water only, to remove any fingerprints or to wipe off dust.

Clean the grille by gentle vacuuming or with a damp cloth.

NOTE: Do not use any cleaning products or polishes on the cabinet or grille.

SPECIFICATIONS

	REFERENCE 2000.4	REFERENCE 2000.5	REFERENCE 2000.6
Recommended Amplifier Power	15 ~ 150 W	15 ~ 175 W	15 ~ 200 W
Frequency Range	40 ~ 20,000 Hz	38 ~ 20,000 Hz	35 ~ 20,000 Hz
Sensitivity (2.83 V @ 1 m)	89 dB spl	90 dB spl	92 dB spl
Nominal Impedance	8 ohms	8 ohms	8 ohms
Bass Unit	6 1/2" (160 mm)	6 1/2" (160 mm)	dual 6 1/2" (160 mm)
High-Frequency Unit	1" (25 mm)	1" (25 mm)	1" (25 mm)
Dimensions (high, wide*, deep)	33 x 7 1/2 x 10 3/8"	35 1/2 x 7 1/2 x 14 3/8"	40 x 7 1/2 x 14 3/8"
*On 2000.5/6, add 2 1/4" (57 mm) for foot bar.	(838 x 190 x 264 mm)	(902 x 190 x 365 mm)	(1,016 x 190 x 365 mm)
Weight (each, net)	28.4 lb (12.7 kg)	33.9 lb (15.2 kg)	40.4 lb (18.1 kg)

Infinity constantly strives to update and improve existing products, as well as create new ones; therefore, the specifications and construction details in this and related Infinity publications are subject to change without notice.

LIMITED WARRANTY

WHO IS PROTECTED BY THE WARRANTY?

Your Infinity warranty protects the original retail purchaser and all subsequent owners for a period of five (5) years (parts and labor) from any failure as a result of original manufacturing defect so long as: (1) your Infinity loudspeaker was purchased within the fifty United States or by military personnel from an authorized military outlet and (2) the original dated bill of sale is presented whenever service is required during the warranty period. This warranty does not apply to products purchased elsewhere; other purchasers should contact their local Infinity distributor for warranty information.

WHAT DOES THE INFINITY WARRANTY COVER?

Except as specified below, this warranty covers all defects in original materials and workmanship. The following are not covered: damage caused by accident, misuse, abuse, neglect, product modification; damage occurring during shipment; damage caused by failure to follow instructions in the owner's manual, including failure to perform recommended periodic or routine maintenance; damage resulting from repairs by someone not authorized by Infinity; claims based upon any misrepresentations by the seller; and any Infinity product on which the serial number has been altered, defaced, or removed.

WHO PAYS FOR WHAT?

During the period of the warranty, subject to the above conditions, Infinity will pay all of the labor and material expenses to repair a warrantable defect.

HOW CAN WARRANTY SERVICE BE OBTAINED?

In the event that your Infinity loudspeaker should require service, you should first contact the Infinity dealer from whom the product was purchased or, if this is not practical, contact Infinity directly (ATTN: Customer Service) at 20630 Nordhoff Street, Chatsworth, CA 91311 (818) 407-0228. We may direct you to an authorized service center for Infinity products or ask you to send them to us for repair. In either case, you will have to present your original bill-of-sale to establish warranty coverage. Do not send your speaker to us without prior authorization from our Customer Service Department. You are responsible for transporting your product to either Infinity or an authorized service center and for payment of all shipping charges; however, Infinity will pay the return shipping charges (in the event you return the product to us) if the repairs are covered by warranty. If you experience difficulty in transporting your product or are in need of packing materials, please advise us and we may be able to suggest alternative procedures and/or provide adequate packing materials.

LIMITATION OF IMPLIED WARRANTIES:

All implied warranties, including fitness for a particular purpose and merchantability are limited in duration and length to the warranty period for your product.

LIMITATION OF INCIDENTAL OR CONSEQUENTIAL DAMAGES:

Infinity is not responsible for any incidental or consequential damage of any kind. Our liability is limited to the repair or replacement, at our option, of a defective product. Some states do not allow limitations on how an implied warranty lasts and/or do not allow the exclusion of incidental or consequential damage, so the above limitations or exclusions may not apply to you. This warranty gives you specific legal rights and you may also have other rights which vary from state-to-state.

NOTE: In the event that there is a difference between this warranty and the provisions in any advertisements, product brochures or packaging cartons, the terms of this warranty will prevail.



©1996, Infinity Systems, Inc., 20630 Nordhoff Street, Chatsworth, CA 91311, USA
VOICE (818) 407-0228 • FAX (818) 709-9486